



T

VERTICAL NON-METALLIC CENTRIFUGAL PUMPS,  
SEALLESS, DRY RUN SAFE



T

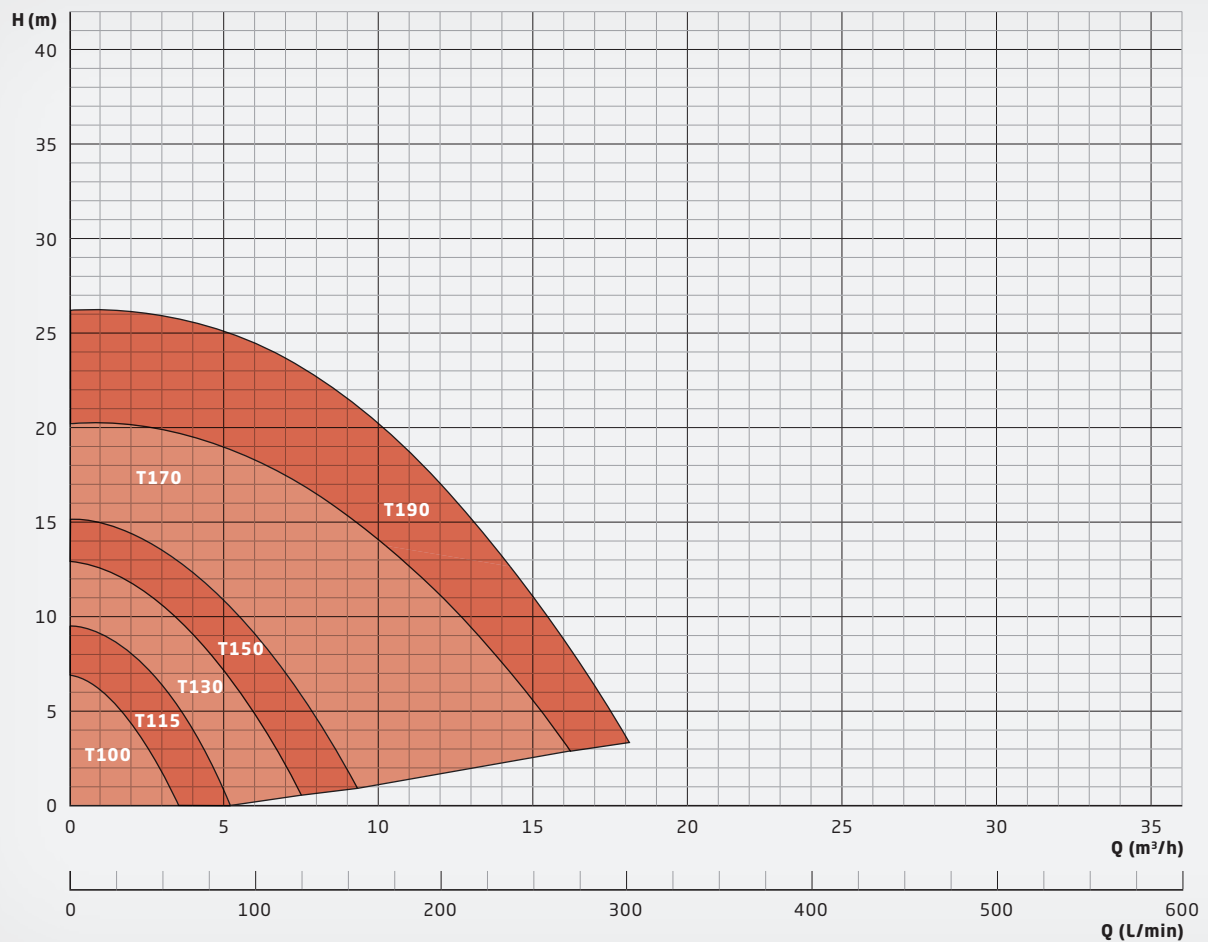
Vertical non-metallic centrifugal pumps, sealless, dry run safe

**Housing and impeller materials:** PP, PVDF

**Elastomers:** EPDM, FKM (e.g. Viton®), FEP, FFKM (e.g. Kalrez®)

The T series features a vertical shaft extension that directly drives the impeller. The rotating shaft runs completely contact- and abrasion-free inside the housing ("cantilever" design). This design concept eliminates the need for shaft seals and additional bearings. Optionally, the T series can be ordered with a shaft seal as a vapour barrier.

## PERFORMANCE CHART



### Advantages:

- + Absolutely dry run safe because of contact-free shaft and impeller rotation
- + No abrasion into the fluid, therefore well-suited for high-purity applications
- + Maintenance-free operation as no wearing parts such as slide bearings or mechanical seals

Solid particles up to 3 mm in size and 10% volume are allowed. The maximum viscosity is 150 mPas; the maximum allowed temperature is 95 °C.





T

Vertical non-metallic centrifugal pumps, sealless, dry run safe

## DESCRIPTION

<b>Characteristics</b>	Non-metallic, chemical resistant, vertical sealless centrifugal pump, dry run safe
<b>Features</b>	<ul style="list-style-type: none"><li>· Absolutely dry run safe because of contact-free shaft and impeller rotation</li><li>· Maintenance-free operation as no wearing parts such as slide bearings or mechanical seals</li><li>· Available with extension tubes in different lengths to individually adjust the immersion depth</li><li>· Available with inlet strainer to prevent rough dirt and objects from entering the pump housing</li><li>· All wetted parts made of high-quality, corrosion-resistant plastics (PVDF or PP)</li><li>· Threaded connections (ISO 228-1) as standard</li><li>· Optionally available with flange connections (from size 130)</li><li>· Universally applicable, low-noise and compact close-coupled design</li><li>· Corrosion resistant motor finish</li></ul>
<b>Fields of application</b>	<p>Installation in return vessels, tank tops, container lids, pump sumps, etc. Delivery of acids, bases, lye or other corrosive liquids.</p> <p>Useful in applications, where dry running of the pump cannot be prevented at times.</p> <p><b>For example in the following applications:</b></p> <ul style="list-style-type: none"><li>· Plating and surface coating</li><li>· Semiconductor technology and solar cell production</li><li>· PCB and electronics manufacturing</li><li>· Wastewater and fresh water treatment</li><li>· Laboratory equipment and medical technology</li><li>· Emission controls and gas scrubbers</li><li>· Battery production and energy storage</li><li>· High-purity applications, demineralized water, ultrapure water</li><li>· Etc.</li></ul>

## TYPES

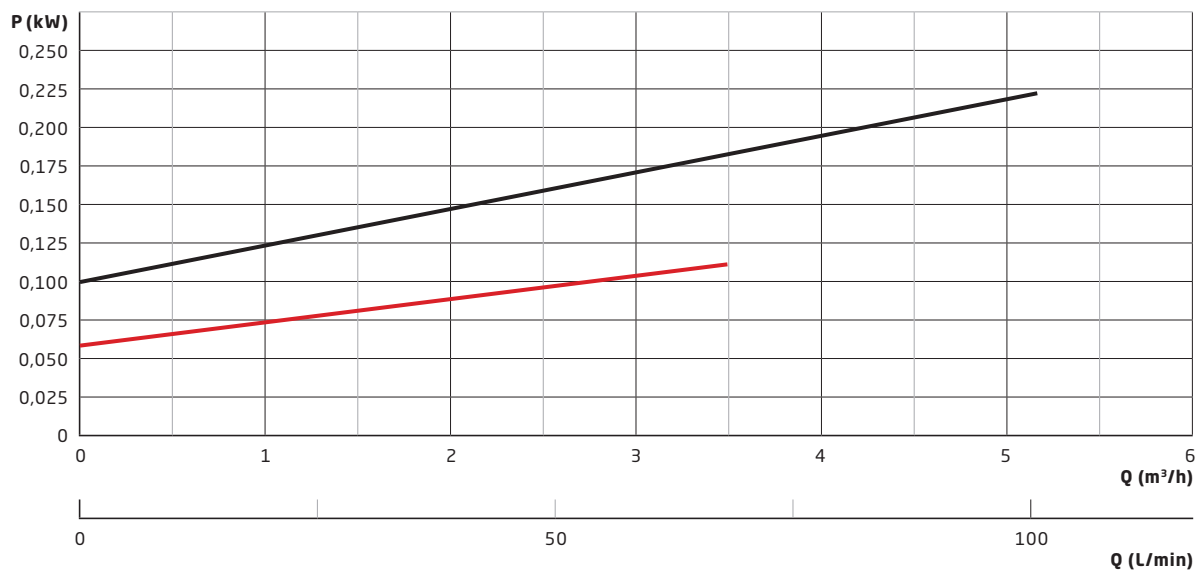
<b>Characteristics</b>	<ul style="list-style-type: none"> <li>· Pump housing: PVDF, PP</li> <li>· Elastomers: FKM, EPDM, FEP, FFKM</li> </ul>
<b>Standard motors</b> (available from stock)	<ul style="list-style-type: none"> <li>· Three-phase motors: D230/Y400 V-3ph @ 50 Hz, D277/Y480 V-3ph @ 60 Hz, IP 55, Ins.-Cl. F, also with PTC</li> <li>· All motors from 0.75 kW have energy efficiency class IE3</li> <li>· Single-phase motors (up to 1.1 kW: 230 V-1ph, 50/60 Hz, IP 55, Ins.-Cl F)</li> <li>· ATEX-certified motors (temperature rating T3)</li> </ul>
<b>Special motors</b> (available on request, for example)	<ul style="list-style-type: none"> <li>· Special voltages and frequencies</li> <li>· ATEX-certified motors (temperature rating T4 or T5)</li> <li>· Three-phase motors with integrated drive / frequency converter</li> <li>· Four-pole motors with 1450 rpm @ 50 Hz / 1650 rpm @ 60 Hz</li> <li>· UL- and CSA-certified motors</li> <li>· Special types of protection, e.g. IP 65</li> <li>· Special insulation classes, e.g. tropical insulation</li> <li>· Multi-voltage, e.g. D220-290 / Y380-500 V, 50 Hz; D220-332 / Y380-575 V, 60 Hz</li> <li>· Direct-current motors (DC or BLDC)</li> </ul>
<b>Operating conditions</b>	<ul style="list-style-type: none"> <li>· Max. flow rate: up to 30 m<sup>3</sup>/h</li> <li>· Max. delivery head: up to 28 m</li> <li>· Liquid temperature: -5 to 95 °C (PVDF), resp. 0 to 80 °C (PP)</li> <li>· Ambient temperature: -10 to 40 °C, higher temperatures on request</li> <li>· Pumps can be adapted to high-density liquids (up to 2.0)</li> <li>· T series pumps can run dry for unlimited time (except special versions with shaft seals)</li> </ul>



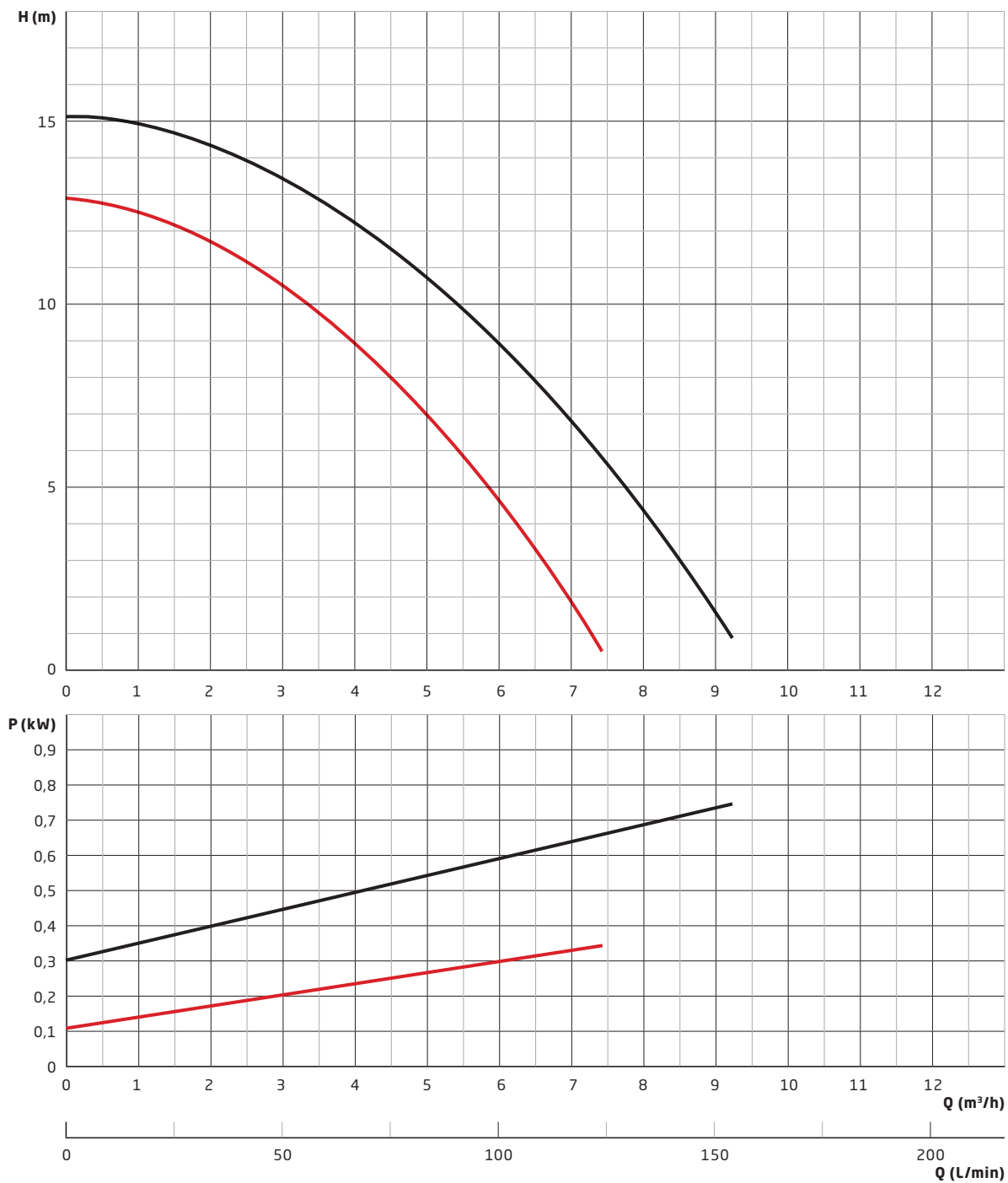
T

Vertical non-metallic centrifugal pumps, sealless, dry run safe

## PERFORMANCE CURVE **T 100** (0.12 kW) / **T 115** (0.25 kW)



## PERFORMANCE CURVE **T 130** (0.55 kW) / **T 150** (0.75 kW)

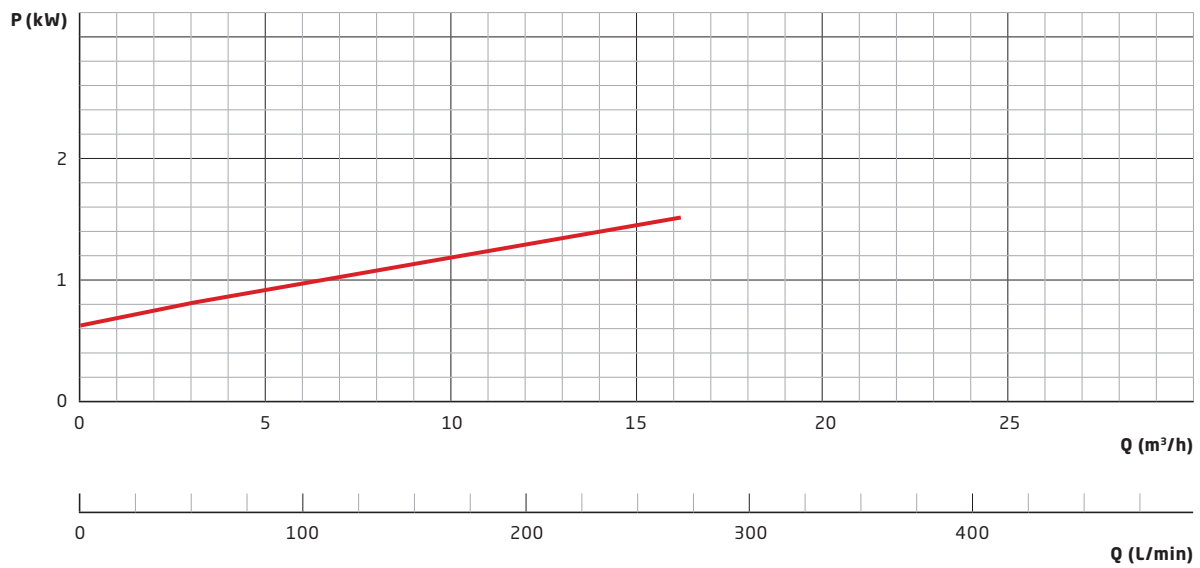
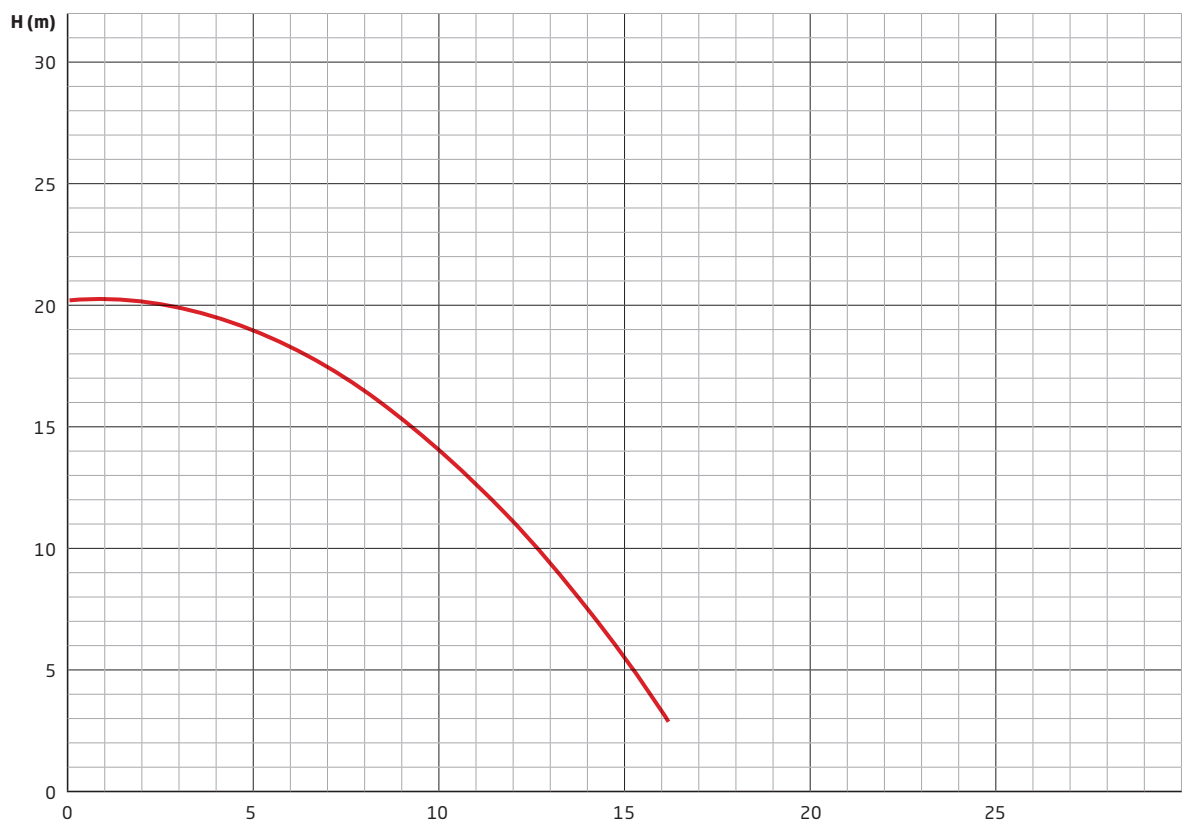




T

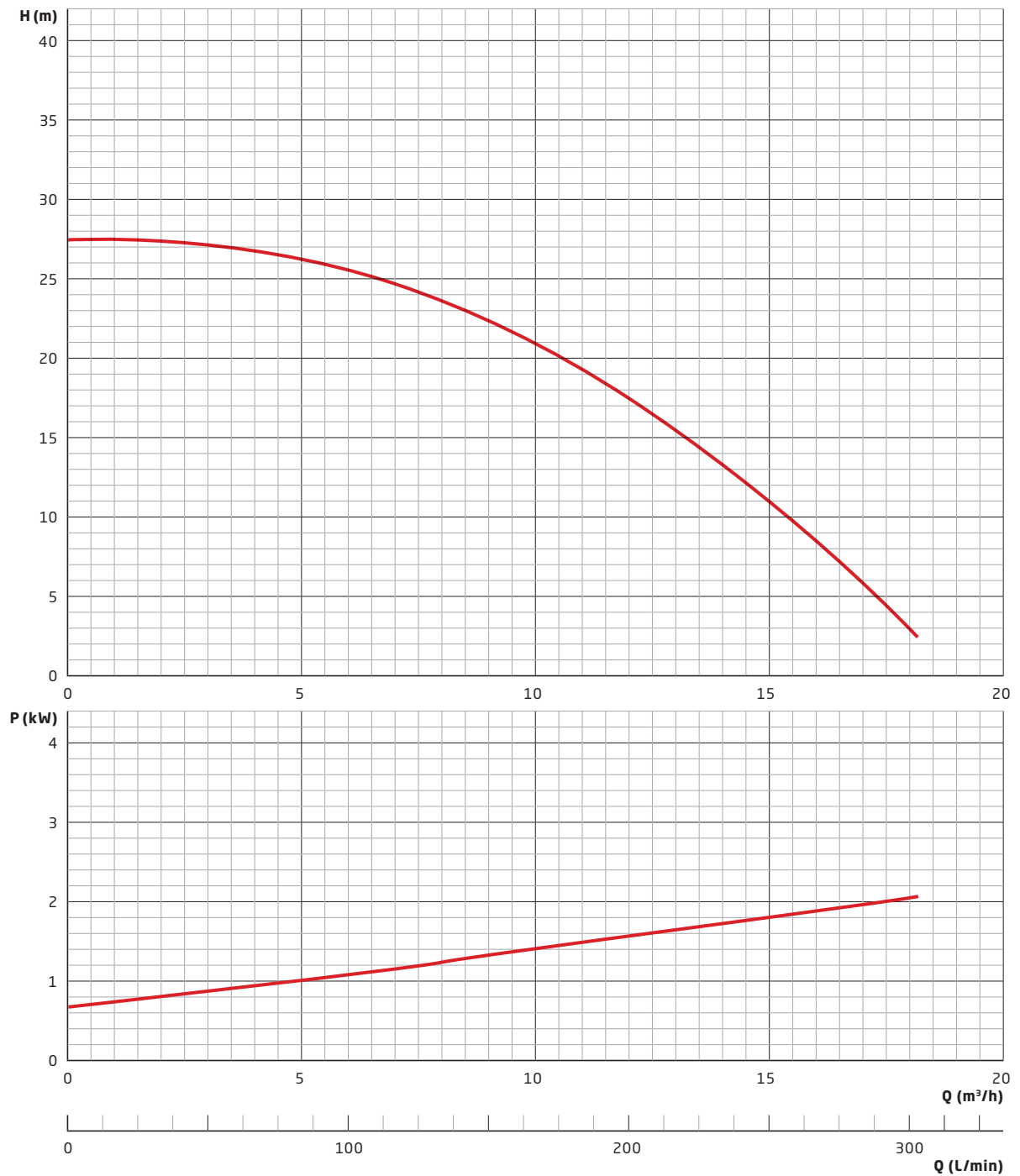
Vertical non-metallic centrifugal pumps, sealless, dry run safe

## PERFORMANCE CURVE **T 170** (1.5 kW)





## PERFORMANCE CURVE T 190 (2.2 kW)



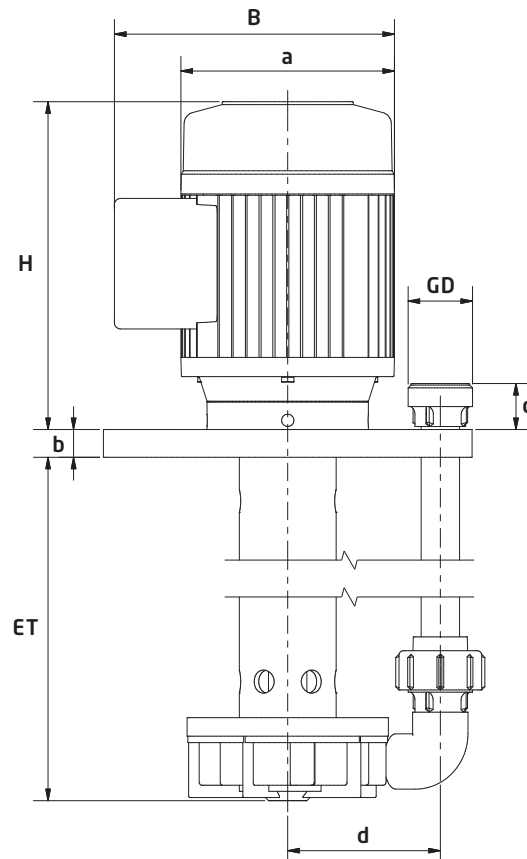
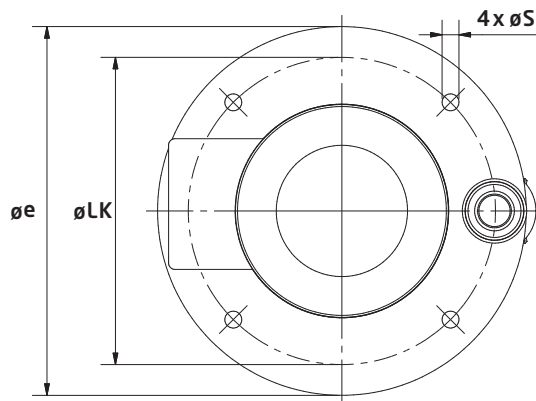


T

Vertical non-metallic centrifugal pumps, sealless, dry run safe

## DIMENSIONS

type	thread	DN	ET	B (mm)	H (mm)	LK (mm)	S (mm)	a (mm)	b (mm)	c (mm)	d (mm)	e (mm)
100	G1"	15	200	152	180	150	11	111	18	30	83	220
115	G1¼"	20	200/300/400	165	183	170	11	126	18	37	97	230
130	G1¼"	20	200/300/400	182	216	200	11	139	18	30	99	240
150	G1¼"	20	300/400/500	196	228	225	11	157	22	30	113	265
170	G1½"	25	400/600/800	212	304.5	280	13	175	22	55	130	320
190	G1½"	25	400/600/800	212	339	280	13	175	22	55	141	330



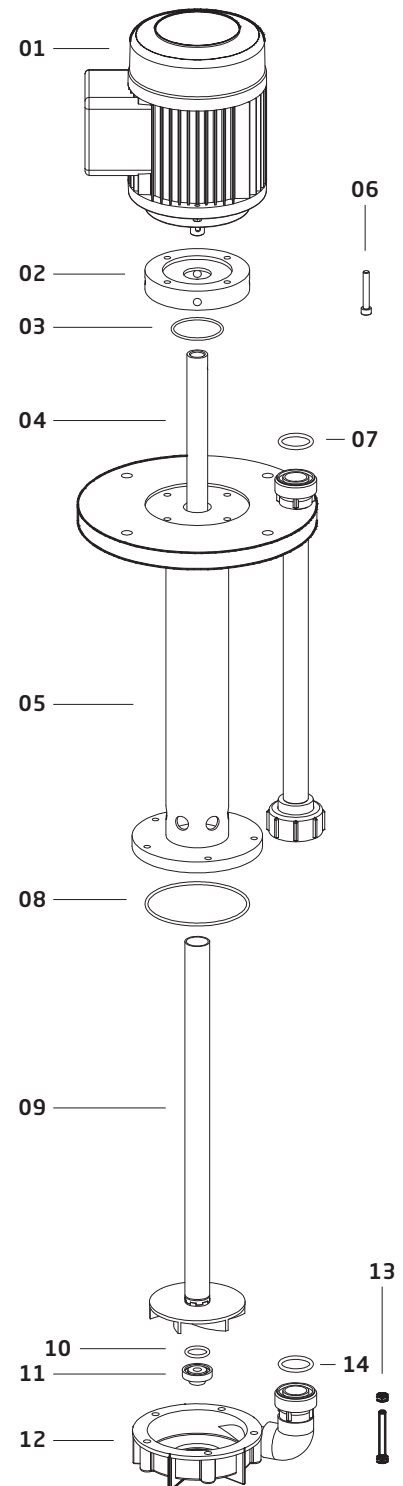
## FITTINGS

SCHMITT offers an extensive range of fittings to facilitate the installation of the pump into your system:

- flange adaptors
- hose connectors
- welding connectors for stainless steel pipes
- reducers
- NPT threaded adaptors
- inlet strainers for vertical pumps
- extension pipes for vertical pumps

## SPARE PARTS LIST

Position	Description	Available materials
01	Motor	
02	Extension flange	PP
03	O-ring	FKM, EPDM, FEP, FFKM
04	Shaft, slotted pin, featherkey	Steel, stainless steel
05	Support tube	PP, PVDF
06	Cylinder screw, washer, nut	V4A
07	O-ring pressure side	FKM, EPDM, FEP, FFKM
08	Housing seal	FKM, EPDM, FEP, FFKM
09	Impeller with shaft sleeve	PP, PVDF
10	O-ring	FKM, EPDM, FEP, FFKM
11	Threaded cap	PP, PVDF
12	Pump housing	PP, PVDF
13	Hexagon bolt, nut	PP, PVDF
14	O-ring	FKM, EPDM, FEP, FFKM





**SCHMITT-Kreiselpumpen GmbH & Co. KG**

Einsteinstraße 33

76275 Ettlingen, Deutschland

Fax: +49 7243 5453-22

E-mail: [sales@schmitt-pumpen.de](mailto:sales@schmitt-pumpen.de)

**Direct line:**

Telephone: +49 7243 5453-0

[www.schmitt-pumpen.de](http://www.schmitt-pumpen.de)

We reserve the right to make changes to the technical information contained in this brochure without prior notice.  
All data is without obligation and non-binding.

Last update: 01 / 2020