



# UP/UP-D0

STAINLESS STEEL CENTRIFUGAL PUMP  
WITH SINGLE OR DOUBLE MECHANICAL SEAL



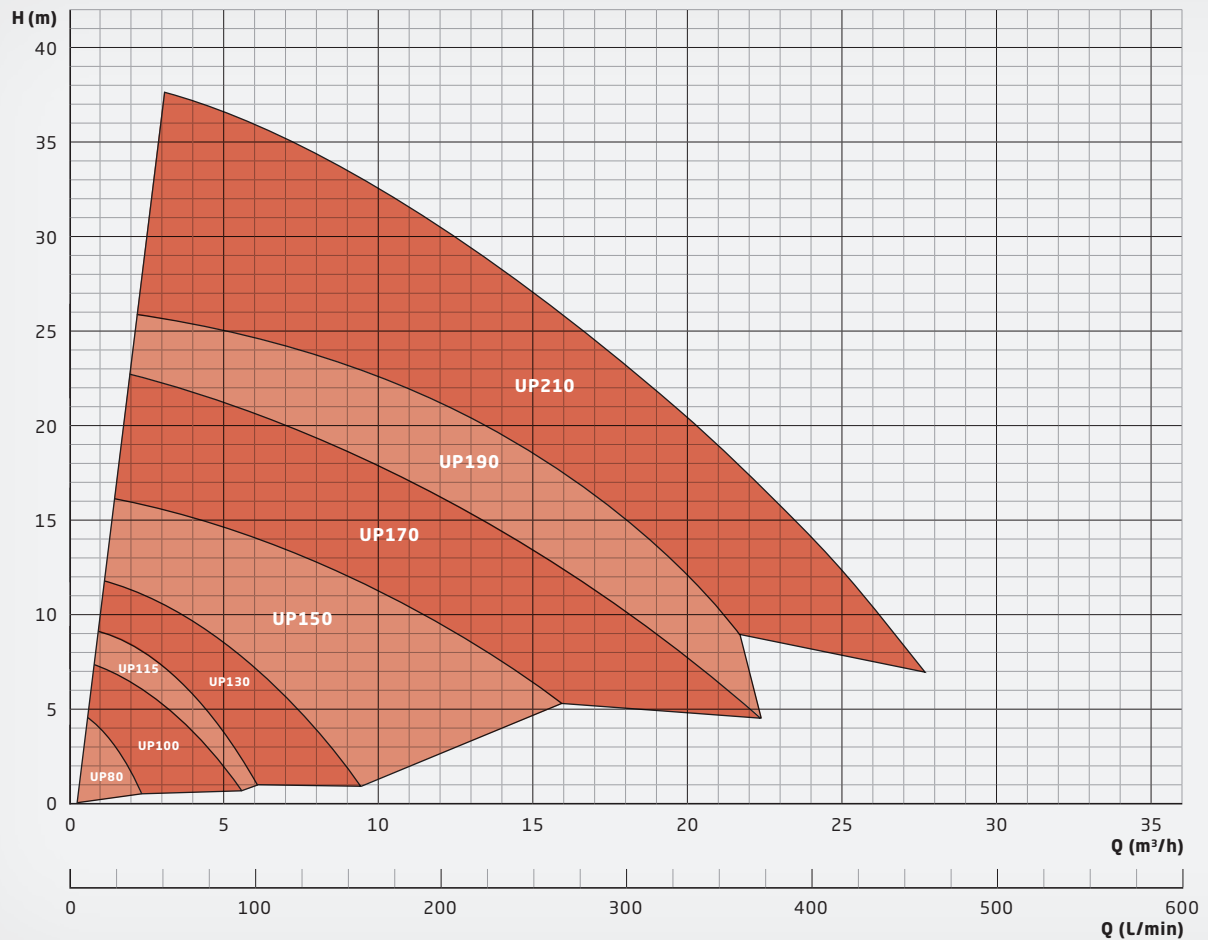
# UP/UP-DO

Stainless steel centrifugal pump with single or double mechanical seal

<b>Housing and impeller material:</b>	Stainless steel ANSI 316Ti (1.4571)
<b>Elastomers:</b>	EPDM, FKM (e.g. Viton®), FEP, FFKM (e.g. Kalrez®)
<b>Mechanical seal materials:</b>	SiC (silicon carbide), graphite carbon, PTFE-GF, Al <sub>2</sub> O <sub>3</sub> -ceramics
<b>Metal parts:</b>	Stainless steel ANSI 316Ti (1.4571)

The UP series is for those applications in which a non-metallic pump cannot be used or is not desired, e.g. for temperatures up to 150 °C. The impeller is directly mounted on the motor shaft extension. The pump is sealed with a single or double (UP-DO) mechanical seal that is cooled and lubricated by the fluid. For the UP-DO, a separate barrier fluid system is required.

## PERFORMANCE CHART



### Advantages:

- + Robust housing parts with high wall thickness
- + Compact close-coupled design
- + Easy installation
- + Suitable for high temperatures
- + UP-DO: dry run safe in connection with a barrier fluid system
- + UP-DO: no leakage of toxic or environmentally hazardous liquids
- + UP-DO: meets the requirements of TA Luft

Solid particles up to 3 mm in size and 10% volume are allowed. The maximum viscosity is 150 mPas, the maximum allowed temperature is 150 °C. All sizes are also available in ATEX-certified versions under the name UP-EX for ATEX zones 1 and 2.





# UP/UP-DO

Stainless steel centrifugal pump with single or double mechanical seal

## DESCRIPTION

<b>Characteristics</b>	Stainless steel, chemical-resistant, single-stage centrifugal pump, closed-coupled design, with single or double mechanical seal
<b>Features</b>	<ul style="list-style-type: none"><li>· Robust housing parts with high wall thickness</li><li>· Well suited to fluids containing solid particles due to spring-loaded mechanical seal</li><li>· Pumping of magnetic particles possible</li><li>· Low-maintenance-operation due to high-quality seal face materials</li><li>· All wetted parts made of high-quality, corrosion-resistant stainless steel 1.4571 (AISI 316 Ti)</li><li>· Threaded connections as per ISO 228-1 as standard. Optionally available with flange connections (from size 130)</li><li>· Universally applicable, low-noise and compact close-coupled design</li><li>· Approved for use in explosive atmospheres (ATEX zone 1)</li><li>· Corrosion-resistant motor finish</li></ul>
<b>Fields of application</b>	<p>Delivery of seawater, weak acids, lye or other corrosive liquids at temperatures up to 150 °C. For use in heavy-duty applications and harsh environments, where a robust pump is required.</p> <p><b>For example in the following applications:</b></p> <ul style="list-style-type: none"><li>· Circulation of coolants and heat transfer oils in cooling or heating devices</li><li>· Electroplating and surface coating</li><li>· Wastewater and fresh water treatment</li><li>· Laboratory equipment and medical technology</li><li>· Environmental technology, emission control and gas scrubbers</li></ul>

## TYPES

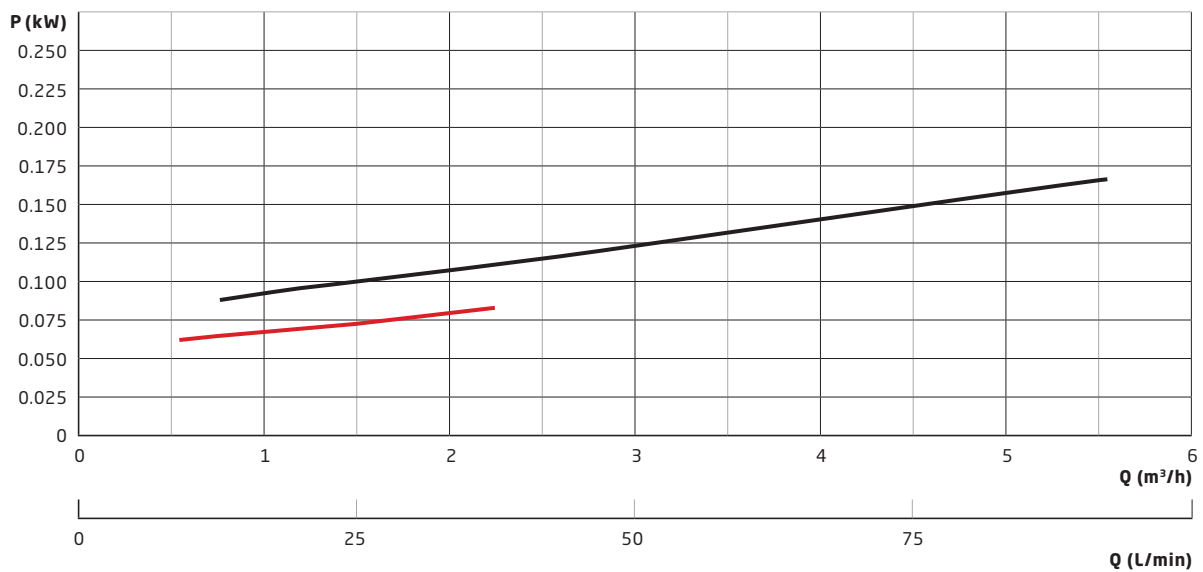
<b>Characteristics</b>	<ul style="list-style-type: none"> <li>· Pump housing: Stainless steel 1.4571 (316Ti)</li> <li>· Elastomers: FKM, EPDM, FFKM</li> <li>· Material of mechanical seal: PTFE/Al<sub>2</sub>O<sub>3</sub>, carbon/Al<sub>2</sub>O<sub>3</sub>, SiC/SiC, SiC/carbon</li> </ul>
<b>Standard motors</b> (available from stock)	<ul style="list-style-type: none"> <li>· Three-phase motors: D230/Y400 V-3ph @ 50 Hz, D277/Y480 V-3ph @ 60 Hz, IP 55, Ins.-Cl. F, also with PTC</li> <li>· All motors from 0.75 kW have energy efficiency class IE3</li> <li>· Single-phase motors (up to 1.1 kW: 230 V-1ph, 50/60 Hz, IP 55, Isol.-Cl. F)</li> <li>· ATEX-certified motors (temperature rating T3)</li> </ul>
<b>Special motors</b> (available on request, for example)	<ul style="list-style-type: none"> <li>· Special voltages and frequencies</li> <li>· ATEX-certified motors (temperature rating T4 or T5)</li> <li>· Three-phase motors with integrated drive/frequency converter</li> <li>· Four-pole motors with 1450 rpm @ 50 Hz/1650 rpm @ 60 Hz</li> <li>· UL- and CSA-certified motors</li> <li>· Special types of protection, e.g. IP 65</li> <li>· Special insulation classes, e.g. tropical insulation</li> <li>· Multi-voltage, e.g. D220-290/Y380-500 V, 50 Hz; D220-332/Y380-575 V, 60 Hz</li> <li>· Direct-current motors (DC or BLDC)</li> </ul>
<b>Operating conditions</b>	<ul style="list-style-type: none"> <li>· Flow rate up to 30 m<sup>3</sup>/h</li> <li>· Maximum head up to 40 m</li> <li>· Temperature: -10 to 150 °C</li> <li>· Ambient temperature from -10 up to 40 °C</li> <li>· Pumps can be adapted to high-density liquids (up to 2.0)</li> </ul>



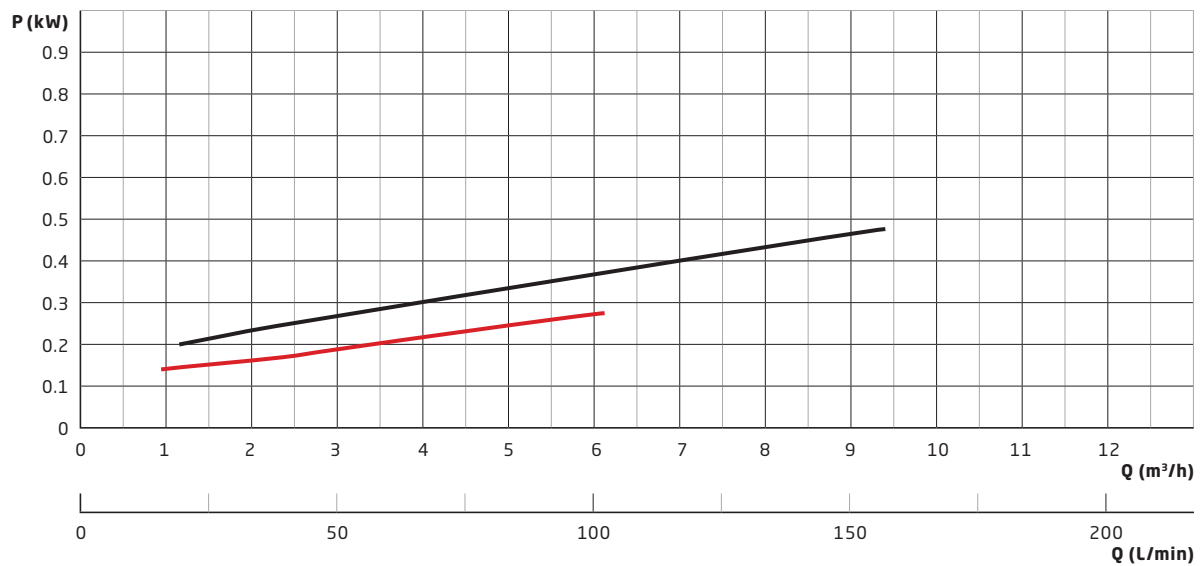
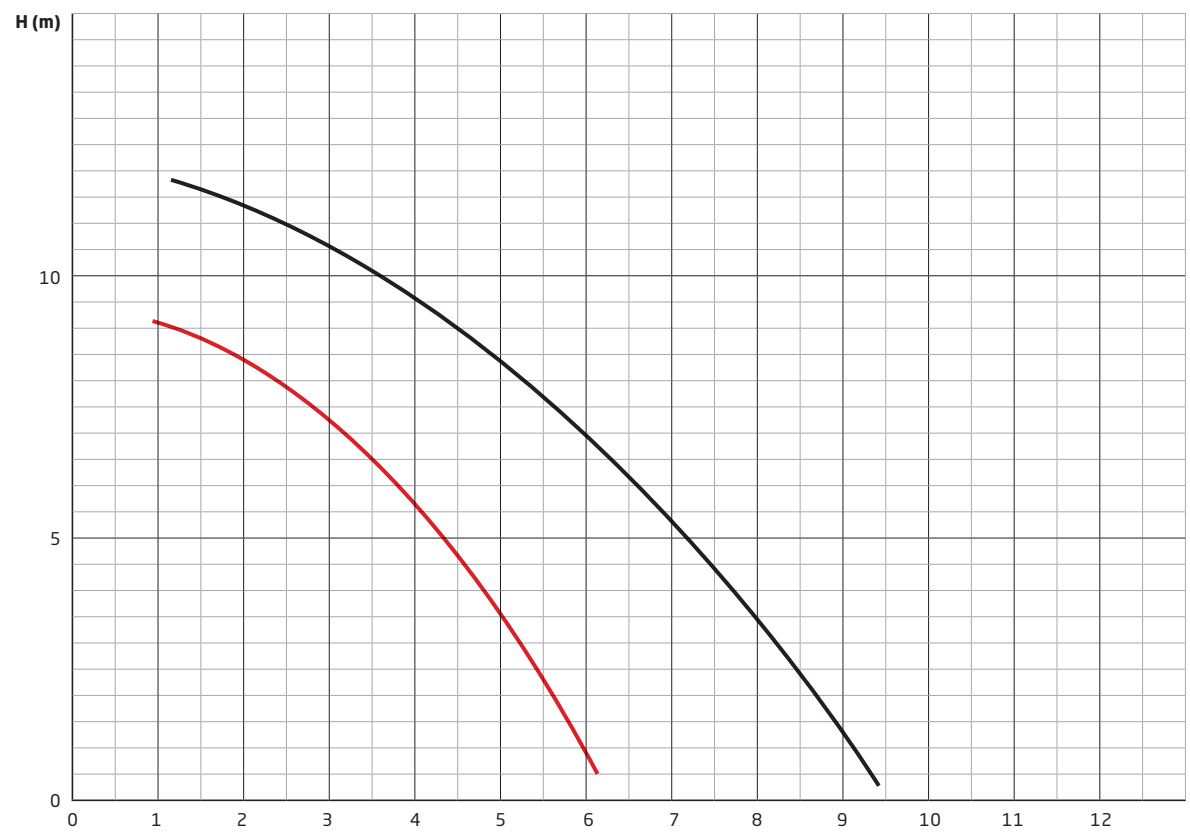
# UP/UP-DO

Stainless steel centrifugal pump with single or double mechanical seal

## PERFORMANCE CURVE **UP 80** (0.18 kW) / **UP 100** (0.18 kW)



## PERFORMANCE CURVE **UP 115** (0.25 kW) / **UP 130** (0.55 kW)

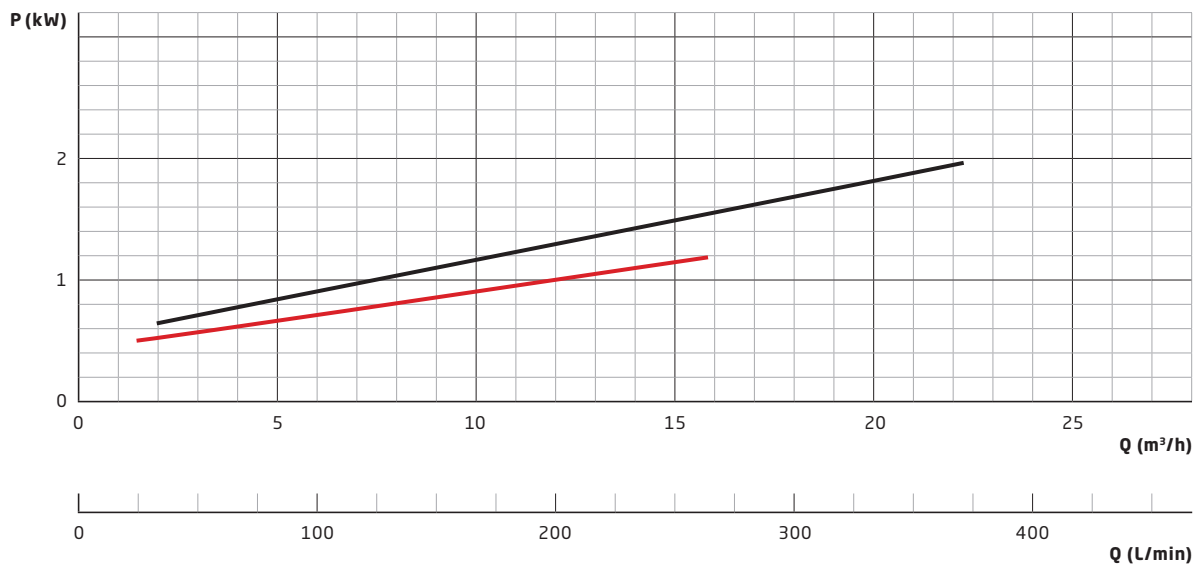




# UP/UP-DO

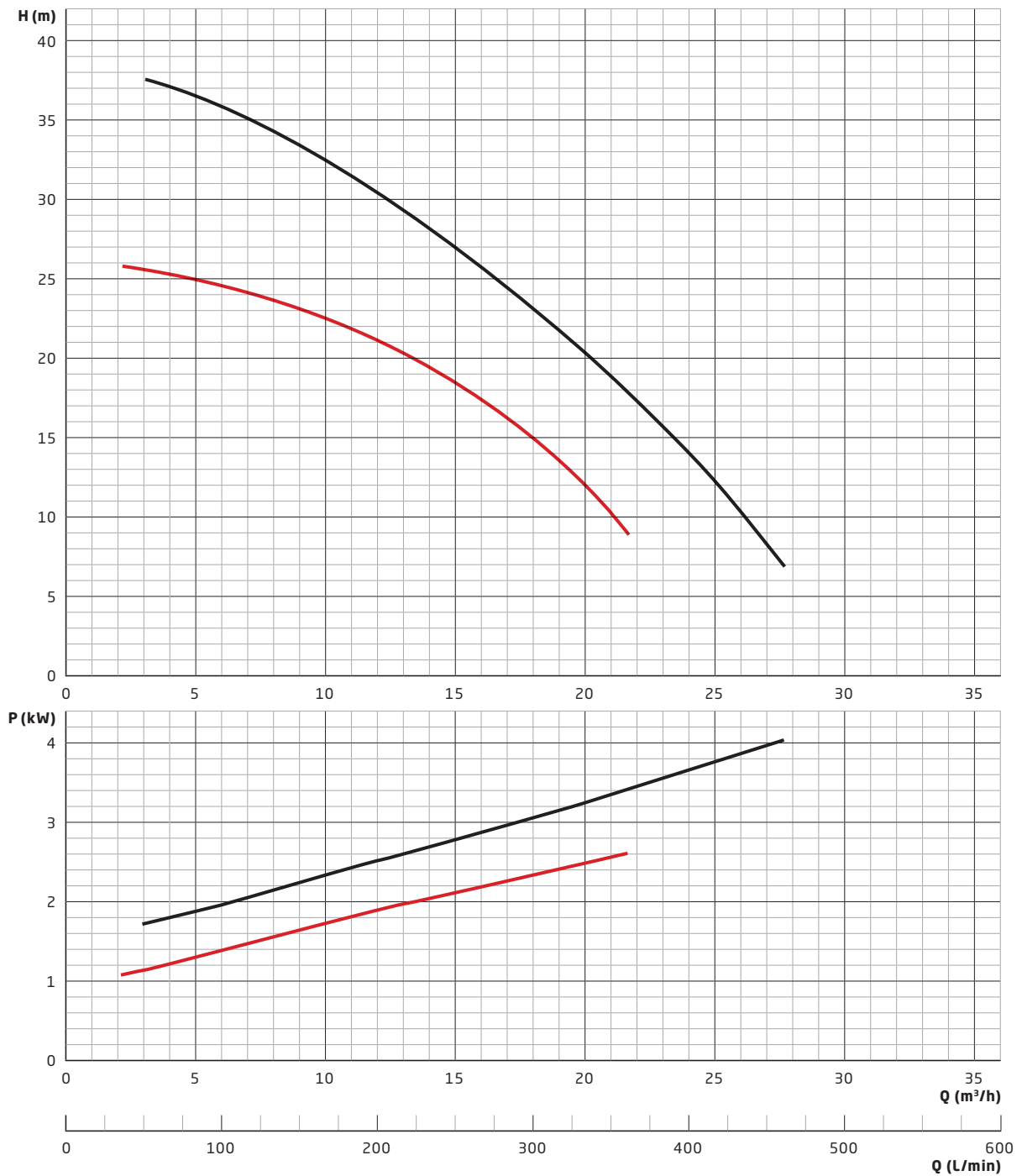
Stainless steel centrifugal pump with single or double mechanical seal

## PERFORMANCE CURVE **UP 150** (1.1 kW) / **UP 170** (2.2 kW)





PERFORMANCE CURVE **UP 190** (3.0 kW) / **UP 210** (5.5 kW)

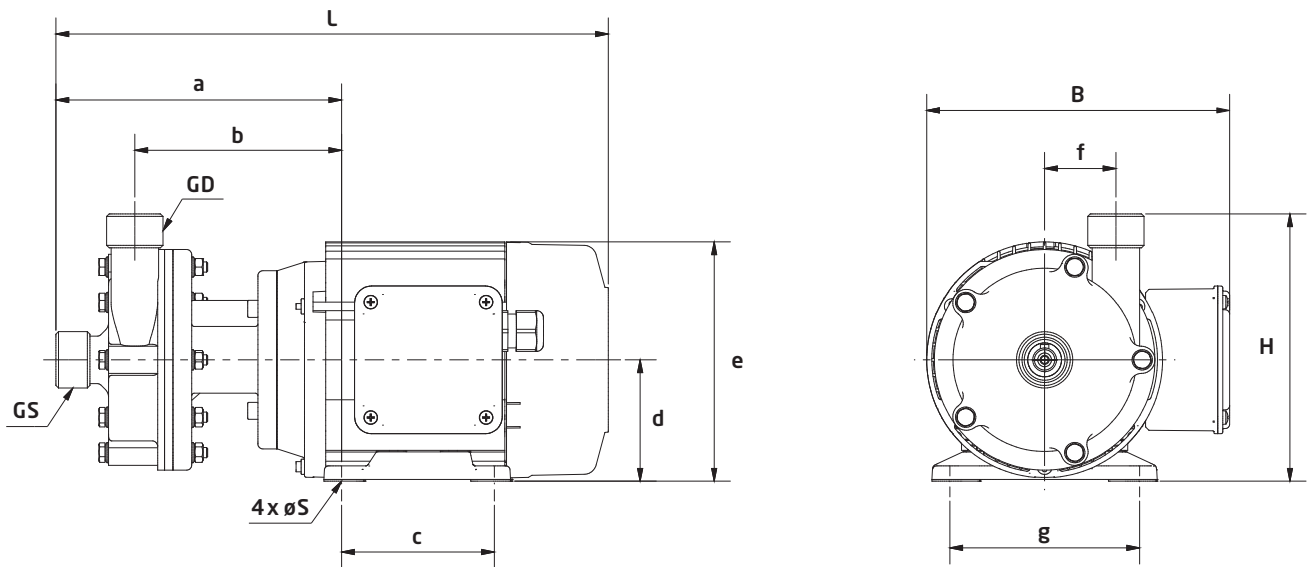




# UP/UP-DO

Stainless steel centrifugal pump with single or double mechanical seal

## DIMENSIONS UP



Typ	GS		GD		L (mm)	B (mm)	H (mm)	S (mm)	a (mm)	b (mm)	c (mm)	d (mm)	e (mm)	f (mm)	g (mm)
	thread	DN	thread	DN											
80	G½"	10	G½"	10	269	151	124	6	145	107	71	56	112	32	90
100	G¾"	15	G¾"	15	273	151	126	6	149	109	71	56	112	35	90
115	G¾"	15	G¾"	15	291	165	141	7	167	122	80	63	126	35	100
130	G1"	20	G1"	20	326	179	159	7	168	122	90	71	141	42	112
150	G1¼"	25	G1"	20	412	196	176	10	204	153	100	80	159	47	125
170	G1½"	32	G1¼"	25	493	212	200	10	234	175	125	90	178	55	140
190	G1½"	32	G1¼"	25	519	220	220	12	242	183	140	100	197	60	160
210	G2"	40	G1½"	32	564	278	242	12	253	189	140	112	221	70	190

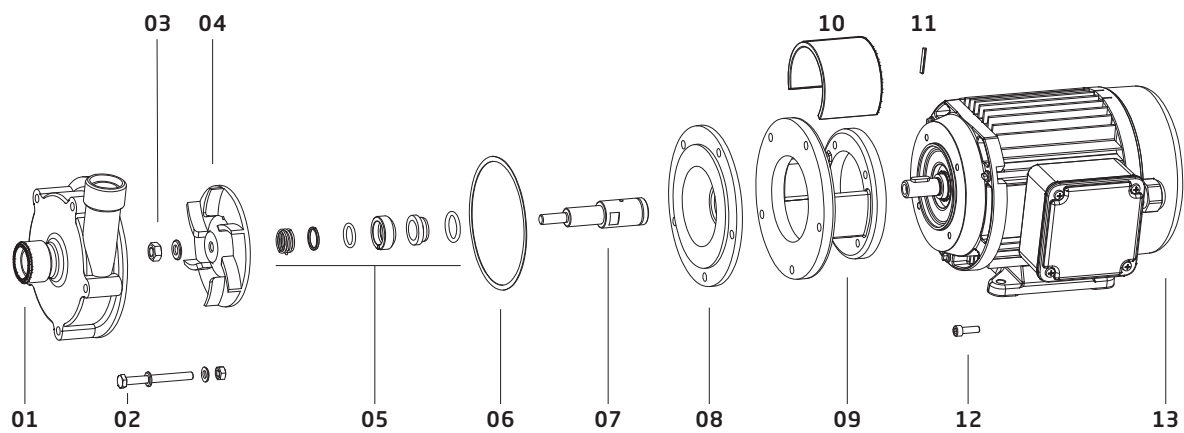
Remark: The above dimensions are for the UP series only, dimensions for UP-DO are available on request

## FITTINGS

SCHMITT offers an extensive range of fittings to facilitate the installation of the pump into your system:

- flange adaptors
- hose connectors
- welding connectors for stainless steel pipes
- reducers
- NPT threaded adaptors
- inlet strainers for vertical pumps
- extension pipes for vertical pumps

## SPARE PARTS LIST UP



Position	Description	Available materials
01	Pump housing	Stainless steel 1.4571 / 316 Ti
02	Hexagon bolt, washer, nut	V4A
03	Locking nut, washer	V4A
04	Impeller	Stainless steel 1.4571 / 316 Ti
05	Mechanical seal	Various options
06	Housing seal	FKM, EPDM, PTFE, FFKM
07	Shaft	Stainless steel 1.4571 / 316 Ti
08	Backplate	Stainless steel 1.4571 / 316 Ti
09	Flange	Aluminium
10	Protection cover	PP
11	Slotted pin	V4A
12	Cylinder screw bolt	V4A
13	Motor	

Remark: Spare parts list for UP-DO available on request



**SCHMITT-Kreiselpumpen GmbH & Co. KG**

Einsteinstraße 33

76275 Ettlingen, Germany

Fax: +49 7243 5453-22

E-mail: [sales@schmitt-pumpen.de](mailto:sales@schmitt-pumpen.de)

**Direct line:**

Telephone: +49 7243 5453-0

[www.schmitt-pumpen.de](http://www.schmitt-pumpen.de)

We reserve the right to make changes to the technical information contained in this brochure without prior notice.  
All data is without obligation and non-binding.

Last update: 01 / 2020